

# PTK2600 BIN ACTIVATOR

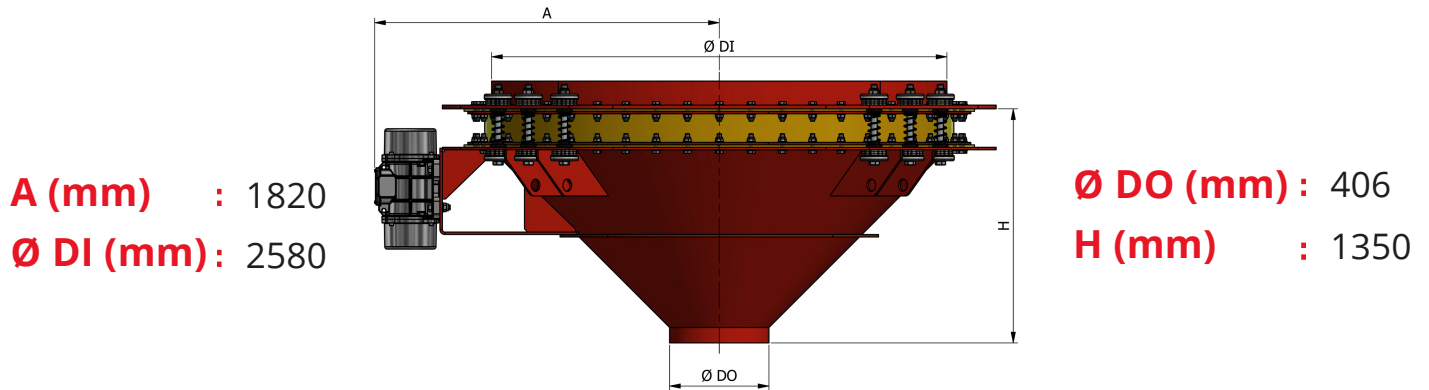
Bin Activators are equipment conically shaped that aid dry bulk material flow from storage silos, or hoppers.

## DATASHEET

CONSTRUCTION MATERIALS		FORCE	POWER	POWER SUPPLY	WEIGHT
<ul style="list-style-type: none"> <li>ST37 Carbon Steel</li> <li>AISI304 Stainless Steel</li> </ul>	<ul style="list-style-type: none"> <li>Hardox Steel</li> <li>AISI316 Stainless Steel</li> </ul>	13640 N	0,7 kW	220 V - 575 V 50 Hz or 60 Hz 3 Phase	2002 kg

NUMBER OF OUTLETS	NUMBER OF DAMPERS	NUMBER OF MOTORS	FEATURES
1	16	2	Counter flange Polyurethane flexible joint

## DIMENSIONS



## TECHNICAL DRAWING

